



Build it plus

Welcome to Build It PLUS



Build It PLUS

Plan your next D.I.Y. project right from the start.

These Build It D.I.Y. brochures have been compiled especially for you to help you through every step of your home D.I.Y. projects.

We've given you expert advice on what materials you'll need and step-by-step instructions on how to get the job done right, first time.

Please feel free to visit any of our stores and speak to one of our consultants on advice about your projects.

We say **Yes** to getting the job done right



Enhance your **privacy** by building a Block Screen



BUILDING

Find your local store using our Store Locator at

www.buildit.co.za

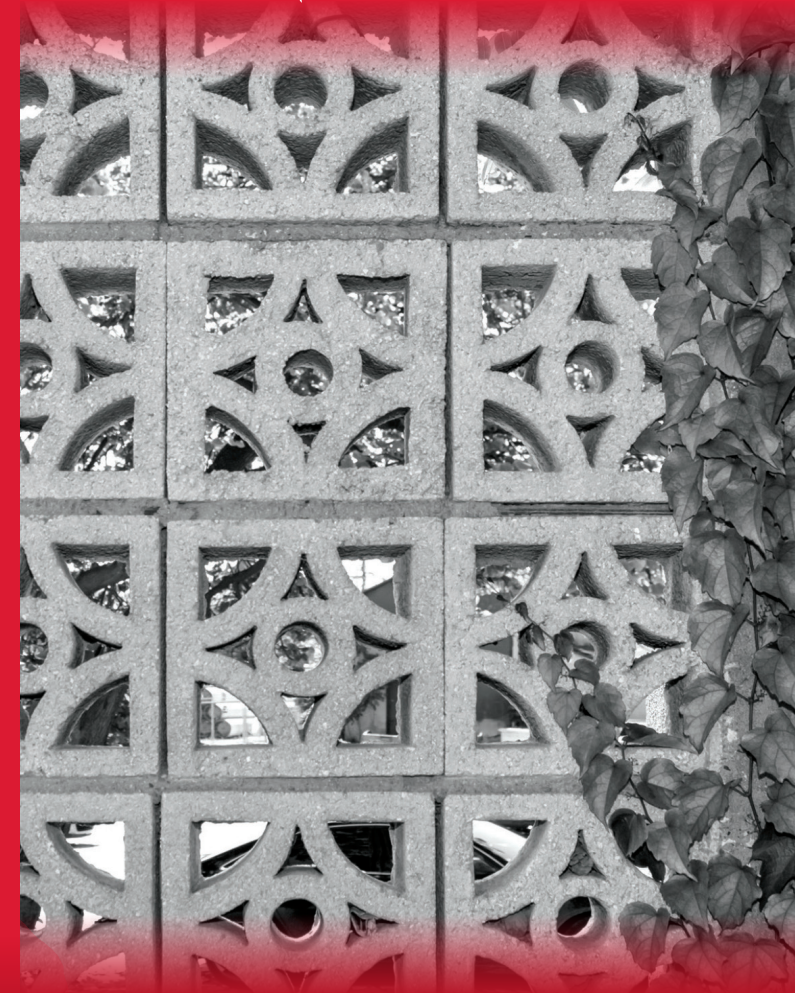
Free

21

Build it

Yes We Can!

Building a Block Screen



HOW TO BUILD A BLOCK SCREEN

A block screen is a simple and effective way to create a private area in the garden.

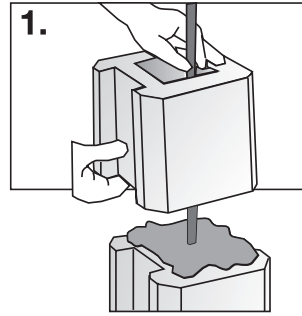
TOOLS REQUIRED

- Spade
- Tape Measure
- Level
- Brick Trowel
- Builders Line

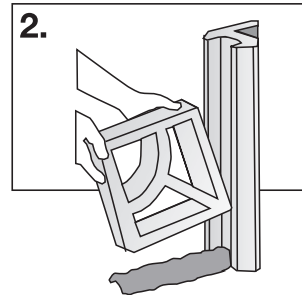
Basic bricklaying techniques and tools are used to build a screen wall, but the blocks are stack-bonded, with continuous vertical joints.

If a screen wall is to be built higher than 600mm, it must be reinforced vertically with 16mm steel bars and horizontally with galvanised brick force. Build your screen with supporting piers no more than 3m apart, using matching pilaster blocks.

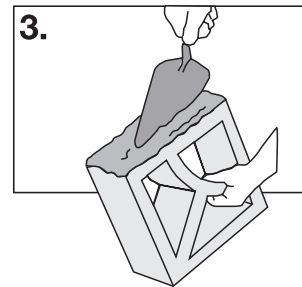
Set out and fill the foundation, making them twice the width of the blocks. Embed pier-reinforcing bars in the concrete, and support them with guy ropes until the concrete sets. Make sure the position of these fit the block dimensions. Lower your block over the first bar, setting it into a bed of mortar laid around the base of the bar. Check that the block is perfectly vertical and level, and that its locating channel faces the next pier. Pack mortar or concrete into its core, then proceed with two more blocks so that the pier corresponds to the height of two mortared screen blocks.



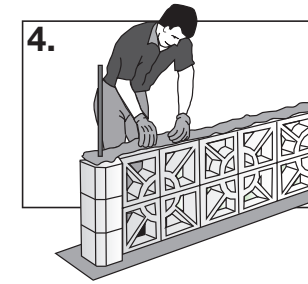
1. Construct each pier in the same way. Intermediate piers will have a locating channel on both sides. Allow the mortar to harden overnight, then lay a mortar bed for two screen blocks next to the first pier. Butter the vertical edge of a screen block with mortar and press into the pier locating channel.



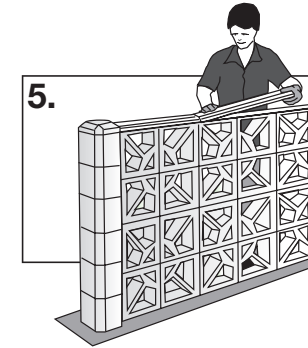
2. Tap the block into the mortar bed and check that it is level. Mortar the next block and place it alongside the first. When buttering screen blocks with mortar, take care to keep the faces clean by making a neat chamfered bed of mortar.



3. Lay two more blocks against the next pier. Stretch a brick layer line to gauge the top edge of the first course, then lay the rest of the blocks towards the centre, making sure that the vertical joints are perfectly aligned. Before building any higher, embed a wire reinforcing strip running from pier to pier in the next mortar bed.



4. To continue to build the piers and screen up to a maximum height of 2m, insert brick force into alternate courses. Finally lay coping slabs on top of each pier and along the top of the screen.



5. If you do not like the appearance of ordinary mortar joints, rake out some of the mortar and repaint. A concave rubbed joint suits decorative screening.

Find your local store using
our Store Locator at www.buildit.co.za

Build it
Yes We Can!